



Dust conveyor (on request).

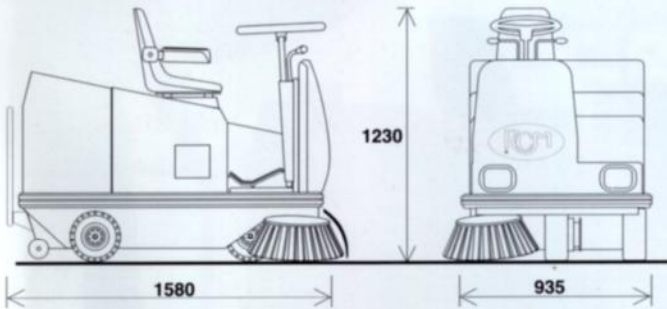


Vacuum cleaner (on request).

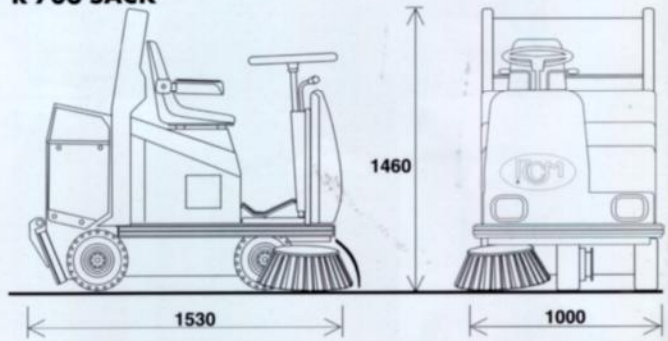


LPG plant (on request).

**R 703/1**



**R 703 SACK**



		<b>R 703/1</b>		<b>R 703 SACK</b>	
		<b>H</b>	<b>E</b>	<b>H</b>	<b>E</b>
Max. cleaning capacity	m <sup>2</sup> /h	9100	7800	9100	7800
Max. cleaning width	mm	1300	1300	1300	1300
Hopper capacity	lt	115	115	115	115
Max. height of emptying	mm.	-	-	1400	1400
Petrol engine	CV/Kw	9.0/6.6	-	9.0/6.6	-
Electric motors	V/CV/Kw	-	36/2.7/2.0	-	36/2.7/2.0
Filtering surface	m <sup>2</sup>	6	6	5.4	5.4
Machine weight	Kg	340	500	440	600
Battery weight	Kg	-	180	-	180
Vacuum on side brushes (RCM patent)		si	si	si	si

RCM reserves the right to make any modifications without notice.

